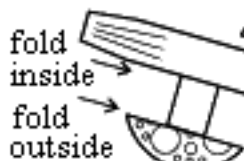
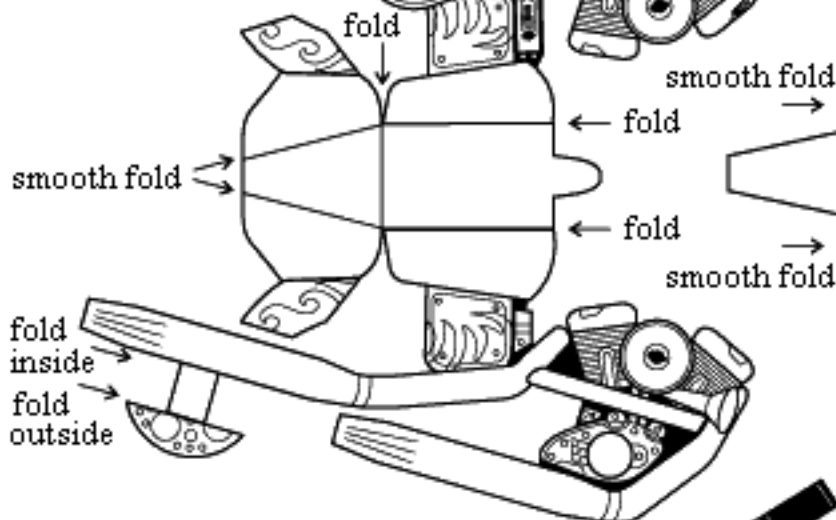
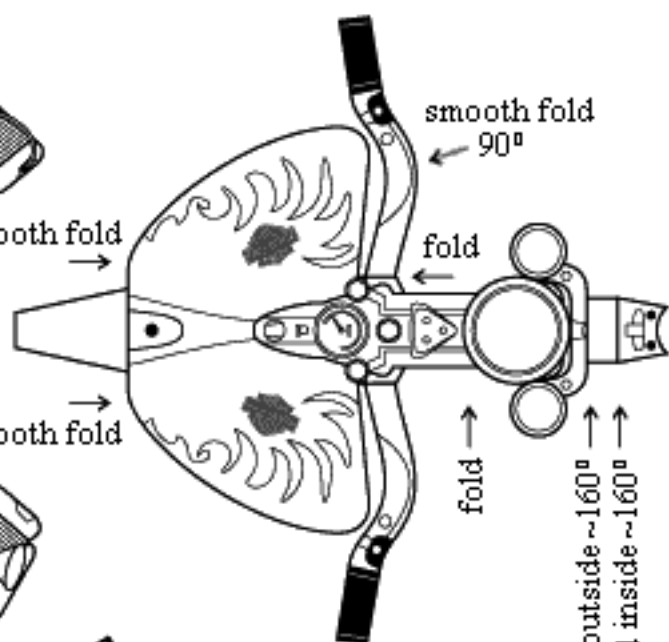
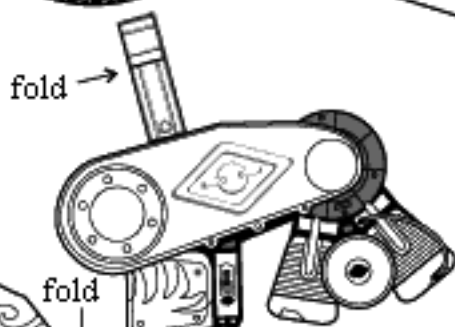
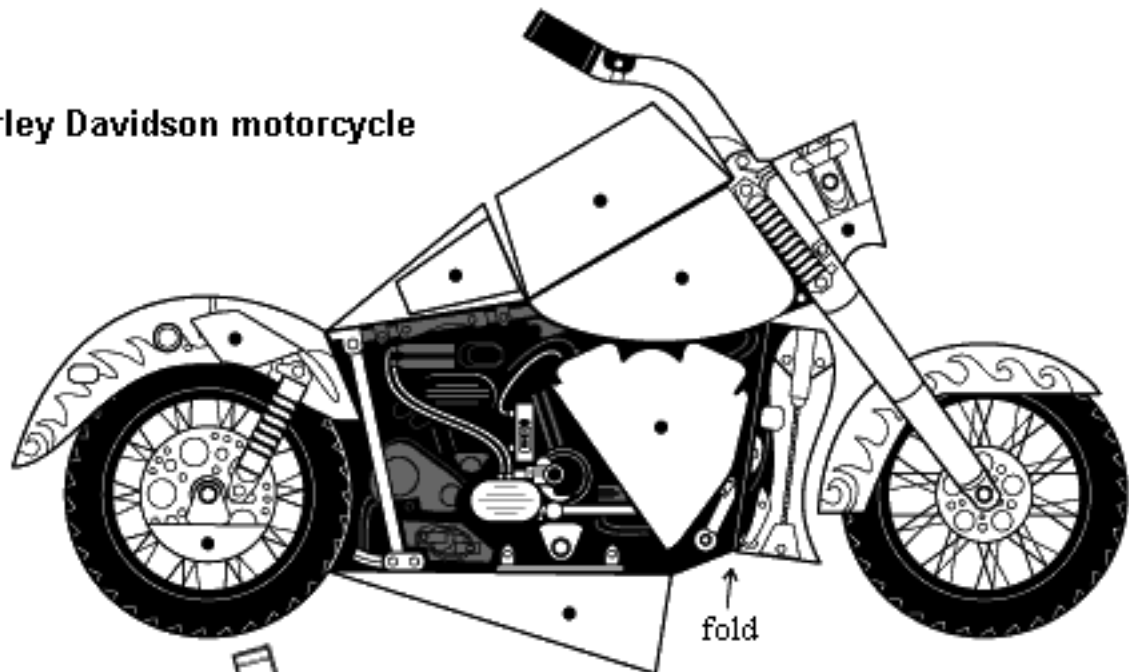


# Harley Davidson motorcycle



fold

fold outside  $\sim 160^\circ$

fold inside  $\sim 160^\circ$

not glue here

glue together wheels of both sides

glue together wheels of both sides

